

Pressure regulating valve 6203

Proportionally operating pressure regulating valve made of gunmetal for industrial applications



Field of application

The SYR pressure regulating valve type 6203 is used to regulate the pressure in industrial installations and apparatuses with media in accordance with the given specifications. As proportionally working pressure regulating valve, it prevents an excessive pressure in-

crease in the system located upstream by opening in proportion to the rising pressure. The design of the pressure regulating valve type 6203 allows to install it in drain or return pipes of longer size where back pressures can occur.

Design

The pressure regulating valve type 6203 is designed as a proportionally operating diaphragm controlled valve. It is equipped with an outlet pressure indicator that displays the set pressure. As a result, an additional pressure gauge is not necessary. The spring cap is rotatable by 360°, so that the pressure indicator is always visible. The pressure regulating valve type 6203 is equipped with a

coaxially arranged strainer (mesh width: 0.25 mm). The operational parts of the system are placed in a car-tridge; this complete unit can be exchanged without disassembling the whole valve and without using special tools; when disassembling the cartridge the outlet pressure setting remains unchanged. The special car-tridge design allows any mounting position.



Pressure regulating valve 6203

Materials

The body and the captive nut are made of a low-lead dezincification resistant gunmetal alloy. All rubber parts are made of ageing resistant elastomer. The diaphragm is reinforced and the high resistance of the screw

cap is due to glass fibre reinforced synthetic material. The sealing elements are made of heat and ageing resistant elastomer. The spring is made of corrosion protected spring steel wire.

Installation

The connection size depends on the required flow rate capacity. A pressure regulating valve works without auxiliary energy with very little adjustment forces and therefore it reacts

sensitively to impurities. A filter installed upstream effectively protects the pressure regulating valve type 6203.

Thoroughly rinse the pipe prior to installation. Install the SYR pressure regulating valve type in the pipe under consideration of the flow direction (see arrow on the body) without

applying stresses. Afterwards, turn the head part without loosening the captive nut, so that the green outlet pressure indicator becomes visible.

Technical data

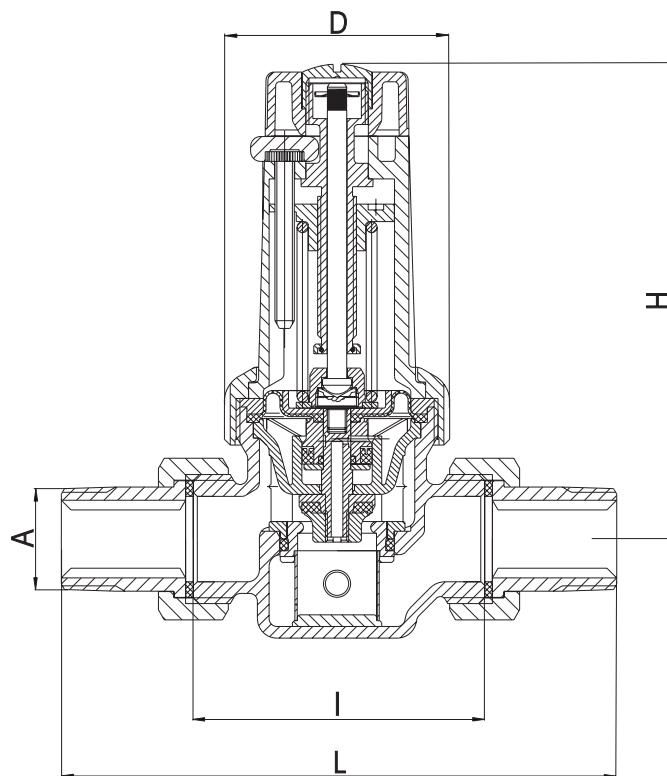
Operating overpressure:	max. 25 bar
Opening pressure:	type 6203.1: 1.5 bis 5 bar type 6203.2: 5 - 8 bar
Operating temperature:	max. 110 °C
Mounting position:	any
Fluids:	water, compressed air, neutral fluids, oil-free air, neutral gases
Flow rate capacity:	see diagram
Serial number:	6203...

Maintenance

Depending on the use, the valve can be adjusted to the opening pressure or to a desired system pressure occurring at maximum flow rate. For doing so, loosen the safety screw in the adjustment handle. The requested pressure is set with a flick of the wrist. With the well-contrived combined adjustment-display handle, the pressure regulating valve not only ensures an optimal pressure but also allows to read the set pressure without an additional pressure gauge. To reduce the outlet pressure, turn

the adjustment handle in the direction of the minus symbol (-), to increase it, turn the adjustment handle in the direction of the plus symbol (+). According to the operating conditions, it is necessary to carry out maintenance works on a regular basis. The perfected design of the cartridge system allows to exchange and service the operational part of the pressure regulating valve without having to disassemble the whole valve and without using special tools.

Pressure regulating valve 6203



Nominal size		DN 15	DN 20	DN 25
Dimensions	A	G 1/2	G 3/4	G 1
	L (mm)	132	143	161
	I (mm)	75	75	87
	H (mm)	123	123	121
	D (mm)	58	58	58

Pressure regulating valve 6203

Components / Order numbers

①
**Cartridge of pressure
regulating valve with
outlet pressure indicator**

②
Body

③
Threaded union and seal
DN 15 0812.15.900
DN 20 0812.20.900
DN 25 0812.25.900

