

Drufi FF 2315

Cartridge filter with Memoryclip



Field of application

SYR Drufi FF is a compact cartridge filter specially designed for installation at the domestic point of entry. The particularity of the SYR Drufi FF is the mobile Memoryclip that serves as maintenance reminder; this Memoryclip can also be used for determining the water hardness.

The integrated construction form results in a compact unit, so that installation is possible even in confined spaces. Use the Drufi flange programme for installation in the pipe. The flanges can be mounted in vertical and horizontal pipework.

Design

The Drufi FF is composed of a cartridge filter with a filter made of synthetic material. It also includes a flange seal, hexagon socket screws for the flange

assembly, an assembly key for the hexagon socket screws and a filter cap key for the filter maintenance.



Drufi FF 2315

Materials

The filter cap is made of high-quality synthetic material. The body and the internal synthetic parts are made of shock-resistant thermoplast, the rubber parts of ageing-resistant elastomer. All remaining functional parts are made of a low-lead dezincification resistant gunmetal alloy or stainless steel. The ring seals are made of

asbestos-free fibre. All materials are tested and certified by an internationally recognised test institute in Germany (DVGW). All synthetic components getting in contact with water designed for human consumption are approved by the German Public Health Office (KTW).

Installation

It is recommended to install a filter in a drinking water system to protect it against corrosion. System components and appliances located downstream should also

be protected by a filter. The Drufi FF shall be installed directly behind the water metering system and be easily accessible.

Thoroughly flush the pipework prior to installation. Use filtered water from the first onset of the drinking water installation. Always use a flange to mount the Drufi FF, which allows installation in vertical and horizontal pipes. The main axis of the filter

has to be vertical. Install the suitable flange in the pipework without applying stresses. Attach it to the filter body with 4 stainless steel screws; pull them pressure-tight crosswise with the key included in the delivery.

Technical data

Operating pressure:	min. 2 bar, max. 16 bar
Operating temperature:	max. 30 °C
Mounting position:	main axis vertical
Fluid:	potable water
Mesh width:	95 µm
Certified by DVGW:	DVGW NW-9301AT2633
Flow rate capacity:	DN 20: 3,0 m ³ /h at 0,2 bar Δp
	DN 25: 4,2 m ³ /h at 0,2 bar Δp
	DN 32: 4,2 m ³ /h at 0,2 bar Δp
	DN 20: 5,5 m ³ /h at 0,5 bar Δp
	DN 25: 6,5 m ³ /h at 0,5 bar Δp
	DN 32: 6,5 m ³ /h at 0,5 bar Δp
Serial number:	2315.00.007

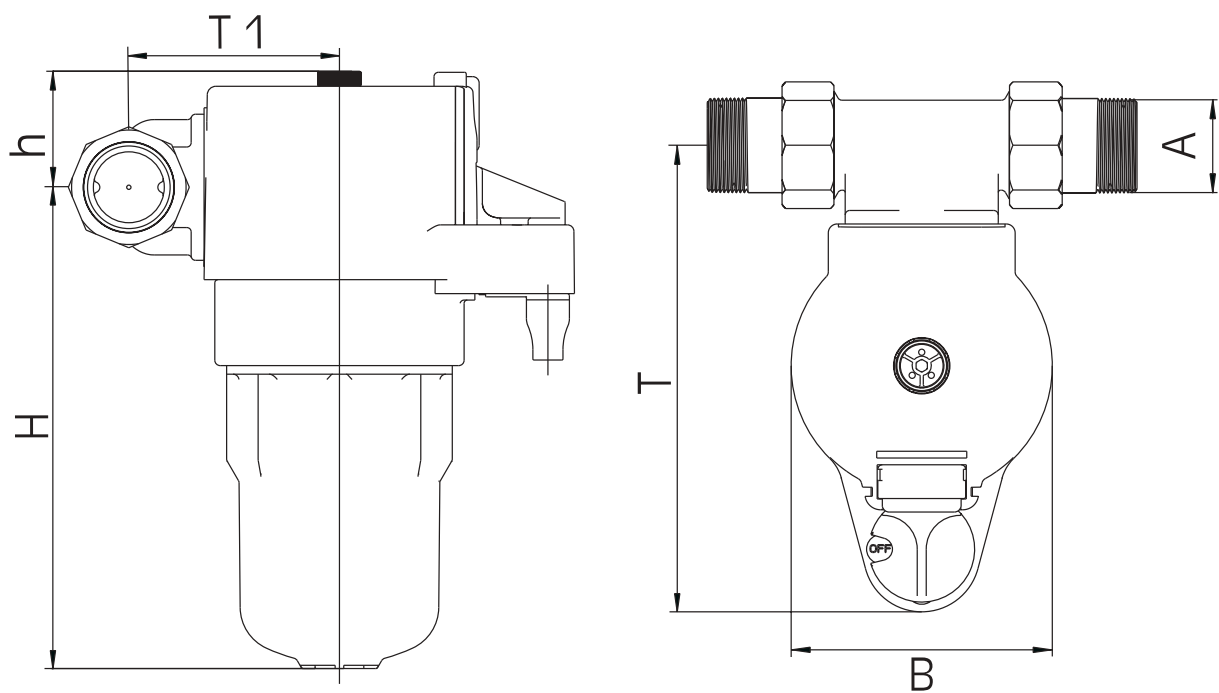
Maintenance

Make a visual inspection every 2 months to check if impurities have accumulated on the filter material. When the flow rate is reduced due to increased pressure loss, but every 6 months at the latest, cartridge maintenance is due and the filter material has to be exchanged.

The LED in the Memoryclip of the Drufi FF flashes permanently when the maintenance interval has expired. When the filter has

been exchanged, press on the Memoryclip so that the electronic system starts again to count out the maintenance interval. No special tools are required for the filter exchange. A filter cap key designed to loosen the filter cap is included in the delivery. The module system allows to retrofit the Drufi FF with a pressure reducer cartridge, which turns it into a Drufi DFF.

Drufi FF 2315



Nominal size	DN 20 - DN 32	
Dimensions	A	G ¾ - 1 ¼
	H (mm)	224
	h (mm)	54
	T (mm)	207
	T 1 (mm)	98
	B (mm)	116

Accessories

Filter 20 µm: 2000.25.960
(Stock bag with 5 units)

Drufi FF 2315

Components / Order numbers

- ①
Memoryclip with conductivity measurement
2315.00.998
- ②
Manometer plug
0828.08.009
- ③
Operating knob of ball valve
2315.00.992
- ④
Protecting cap
2315.00.903
- ⑤
Sealing kit, incl. screws and key
2315.00.931
- ⑥
Valve body
2315.00.933
- ⑦
Ball valve
2315.00.949
- ⑧
Hose nozzle
2315.00.995
- ⑨
Cartridge filter
2315.00.924
- ⑩
O-ring
2315.00.936
- ⑪
Filter cap
2315.00.959

