

# Safety Valves

## Type 06205

Safety Valves, brass,  
type tested TÜV-SV.1090 D/G

Standard safety valve  
with FPM valve seal, open bonnet,  
with discharge holes, with lifting device  
Inlet: male thread type G (BSPP) acc. to ISO 228/1

**Part No. 06205.X.0000**

Available options - on request only:

- stainless steel spring - material 1.4571
- external parts nickel plated

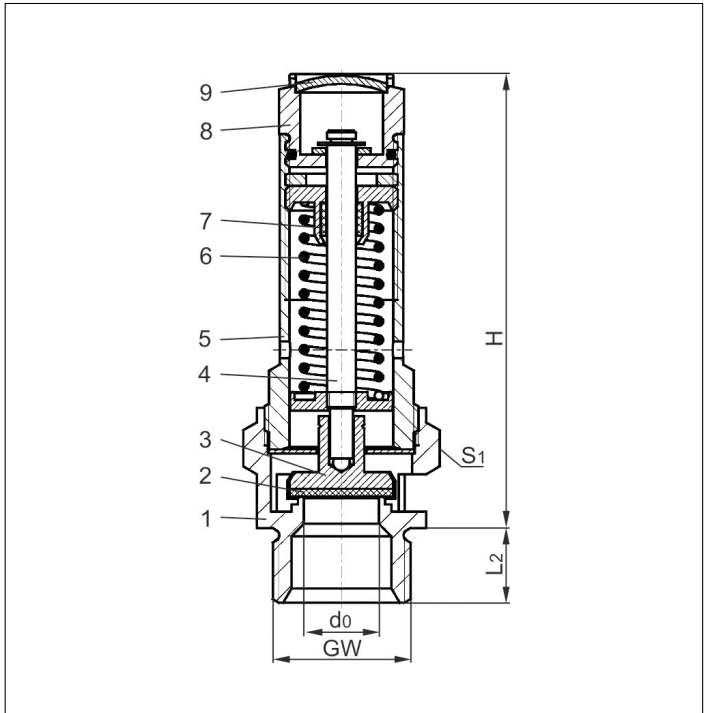


### Applications:

Provided as safety device for protection against excessive pressure in stationary and moveable pressure vessels. Approved for air and similar gases.

Working temperature: -20°C / -4°F (253K) up to +160°C / +320°F (433K)

Materials	DIN EN	ASTM
1 Body	CW614N	B 283 UNS C38500
2 Valve seal	FPM (Viton)	
3 Disc	CW614N	B 283 UNS C38500
4 Stem	CW614N	B 283 UNS C38500
5 Bonnet	CW614N	B 283 UNS C38500
6 Spring	1.1200	A 576 Grade 1045
7 Stem guide	PTFE	
8 Lifting device	CW614N	B 283 UNS C38500
9 Closing cap	CW507L	B 30 UNS C26800



**Essential:** Valves are delivered at a set pressure, therefore when ordering please confirm set pressure, medium and temperature.

Standard marking acc. to Pressure Equipment Directive 97/23/EG (PED).



Type 06205	Technical data							
Nominal size	GW	1/4	3/8	1/2	1/2	3/4	1	1-1/4
Orifice	d <sub>0</sub>	7	7	7	12	15	18	20
Dimension code	.X.	0200	0300	0704	0400	0600	1000	1200
Set pressure range	bar	0.4-35	0.4-35	0.4-35	0.2-22	0.2-16	0.2-18	0.2-16
Height	H	60	60	67	78	92	110	125
Length	L <sub>2</sub>	10	10	12	12	15	18	20
Wrench size across flats	S <sub>1</sub>	21	21	24	27	32	41	48
Weight	ca. kg	0.07	0.07	0.17	0.17	0.27	0.48	0.75
Coeff. of discharge from 3.0 bar	α <sub>w</sub>	0.60	0.60	0.60	0.47	0.63	0.63	0.63

Dimensions in mm.

# Safety Valves

## Type 06205



### Discharge capacities

Calculation of mass flow acc. to AD2000-Merkblatt A2

Medium:

Air in m<sup>3</sup>/h at 0°C and 1013.25 mbar

The capacity indicated below is for a fully opened valve.

d<sub>0</sub> - orifice

A<sub>0</sub> - flow area

Set pressure in bar (ü)	GW	1/4	3/8	1/2	1/2	3/4	1	1-1/4
	d <sub>0</sub> (mm)	7.0	7.0	7.0	12.0	15.0	18.0	20.0
A <sub>0</sub> (mm <sup>2</sup> )	38.48	38.48	38.48	113.1	176.7	254.5	314.2	
Medium	Air							
0.2	-	-	-	30	60	86	106	
0.4	20	20	20	44	89	128	158	
0.6	23	23	23	52	105	151	186	
0.8	27	27	27	61	123	177	219	
1.0	30	30	30	70	142	205	253	
2.0	50	50	50	114	240	345	426	
3.0	68	68	68	156	327	471	581	
4.0	85	85	85	196	410	591	730	
5.0	102	102	102	236	494	711	878	
6.0	120	120	120	276	577	831	1026	
7.0	137	137	137	315	661	951	1175	
8.0	154	154	154	355	744	1071	1323	
9.0	172	172	172	395	827	1192	1471	
10.0	189	189	189	435	911	1312	1619	
12.0	223	223	223	515	1077	1552	1916	
14.0	258	258	258	594	1244	1792	2212	
16.0	293	293	293	674	1411	2032	2509	
18.0	327	327	327	753	-	2273	-	
20.0	362	362	362	833	-	-	-	
22.0	396	396	396	913	-	-	-	
25.0	448	448	448	-	-	-	-	
27.0	483	483	483	-	-	-	-	
30.0	535	535	535	-	-	-	-	
32.0	569	569	569					
34.0	604	604	604					
35.0	621	621	621					